

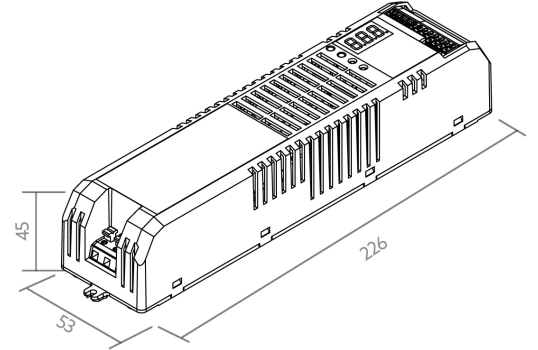
# SXT

BLSXTDMX0230AC10020004040

Article no.: 101649

# BILTON

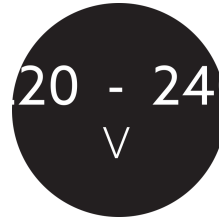
FOCUSED  
ON  
LINEAR  
LIGHT



Output power range



Output current range



Input voltage range



Control signal

## TENDER TEXT

BILTON SXT DMX/Analog 230VAC 100W IP20 4CH 1A/channel LED dimmer BILTON LEDON Technology SXT DMX/Analog Article 101649 The SXT series is a 1- to 4 channel LED dimmer for modules in constant current operation. The total load of max. 4000 mA can be freely distributed to these 4 channels. The controller is operated with DMX/Analog and 220 - 240 V and has an output voltage of 24 VDC. The power dissipation in stand-by is 0.5 W. The dimming frequency of the PWM signal is 600 Hz. Protection degree IP20 and protection class III. Dimension (L x W x H): 226.0 mm x 53.0 mm x 45.0 mm



**BLSXTDMX0230AC10020004040**

Article no.: 101649

## MECHANICAL DATA

Net width [mm]	53.0
Net height [mm]	45.0
Net length [mm]	226.0
Degree of protection (IP)	IP20
Housing	Plastic housing
Core cross section [mm <sup>2</sup> ]	0,75 - 1,5
Net weight [g]	352

## ELECTRICAL DATA

Control signal	DMX / Analog
Input voltage range [V]	220 - 240
Voltage type	AC
Standby power consumption (solstandby) [W]	0.5
Output power range [W]	100
Output voltage range [V]	24
With overheating protection	yes
Overload protection	yes
Output current range [mA]	4000
Protection class	III
Number of channels	4
Dimming frequency [Hz]	600

## TEMPERATURE TECHNICAL DATA

Ambient temperature during operating [°C]	- 5 ... + 45
Ambient/storage temperature [°C]	- 20 ... + 50
Operation temperature at Tc [°C]	0 ... + 50
Lifespan at 20 °C [h]	40000

## PACKAGING INFORMATION

EAN	4250716927498
Article no.	101649
Customs tariff number	85423190
Length [mm]	226.0
Gross weight [g]	395.0
Gross height [mm]	50.0
Gross width [mm]	58.0
Gross length [mm]	252.0
State of origin	SI

## NECESSARY ACCESSORIES

# SXT

**BLSXTDMX0230AC10020004040**

Article no.: 101649

**BILTON**

FOCUSED  
ON  
LINEAR  
LIGHT

Article

Article no.

SAFETY INFORMATION: Read the safety and installation instructions carefully and completely before commissioning. The operating instructions can be found at: [www.biltongroup.com](http://www.biltongroup.com)

DISCLAIMER OF WARRANTY: The technical information corresponds to the status at the time of printing and have been worked out to the best of our knowledge. However, errors and printing errors are reserved. Make sure that you always use the latest version of the data sheets. The latest data sheet can be found at: [www.biltongroup.com](http://www.biltongroup.com)